



Department of Administration
 Purchasing Division
 2019 Washington Street East
 Post Office Box 50130
 Charleston, WV 25305-0130

**State of West Virginia
 Solicitation Response**

Proc Folder: 1239860
Solicitation Description: Tilt Skillet - ERJ
Proc Type: Agency Purchase Order

Solicitation Closes	Solicitation Response	Version
2023-06-22 14:30	SR 0608 DCR2300000082	1

VENDOR
 VC0000028223
 PUEBLO HOTEL SUPPLY

Solicitation Number: ARFQ 0608 DCR2300000198
Total Bid: 76399.67999999999301508069038 **Response Date:** 2023-06-21 **Response Time:** 14:15:00
Comments:

FOR INFORMATION CONTACT THE BUYER
 Mary Jennifer Chapman
 (304) 558-2350
 jennifer.m.chapman@wv.gov

Vendor Signature X **FEIN#** **DATE**

All offers subject to all terms and conditions contained in this solicitation

Line	Comm Ln Desc	Qty	Unit Issue	Unit Price	Ln Total Or Contract Amount
1	Forty (40) Gallon Tilt Skillet-ERJL	3.00000	EA	25466.560000	76399.68

Comm Code	Manufacturer	Specification	Model #
48101600			

Commodity Line Comments:

Extended Description:

Forty (40) Gallon Tilt Skillet-ERJL



Quote

06/19/2023

To:
 State of West Virginia Division of
 Corrections
 Mary Jennifer Chapman
 304-558-2350 (Contact)

Project:
 State of West Virginia bid # ARFQ
 0608 DCR2300000198

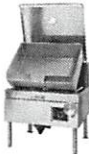
From:
 Pueblo Hotel Supply
 Summer Smythe
 dba Grady's
 170 Greenhorn Drive
 Pueblo, CO 81004
 (719)542-8853

Job Reference Number: OPP12784

All quotes are valid within the same month quoted. If purchasing after the month of the quote, manufacturer increases may apply.

Due to current supply chain issues, and unpredictable freight increases, all freight quotes are **estimates only**. Exact freight charge will be calculated and added to invoice at time of actual shipment.

Orders paid by credit card will have a 2.9% processing fee added at time of transaction.

Item	Qty	Description	Sell	Sell Total
1	3 ea	TILTING SKILLET BRAISING PAN, GAS  Cleveland Range Model No. SGL40TR DuraPan™ Tilting Skillet, gas, 40-gallon capacity, modular open base, standard with hydraulic hand tilt with quick lowering feature, stainless steel construction, includes spring-assisted cover, gallon markings and electronic spark ignition, stainless steel level adjustable feet, 130,000 BTU, CE, NSF, IPX6	\$22,122.70	\$66,368.10
	3 ea	1-year parts & labor warranty, standard		
	3 ea	Performance start-up included at customer request after equipment is installed (Free Water Quality Check included) (contact Cleveland Sales Representative for details)		
	3 ea	Gas type to be specified		
	3 ea	120v/60/1-ph, 1.8 amps NEMA 5-15P, standard		
	3 ea	TD2SK 2" tangent draw-off valve, front mounted left side (Note: May require additional lead time, contact factory)	\$715.02	\$2,145.06
	3 ea	PCS Pan Carrier, for floor models	\$745.28	\$2,235.84
	3 ea	SLD Sliding Drain Drawer	\$1,291.60	\$3,874.80
	3 ea	SGSLD-TR Retractable Splash Guard/Pan Shelf, for sliding drain drawer	\$221.05	\$663.15
	3 ea	FSSK Food Strainer, 30 & 40 gallon, for braising pans	\$370.91	\$1,112.73
	3 ea	CP-SKTD Complete Correctional Package for skillets with TD valve option, includes: CP-TDM tangent draw off resistance modification,	\$1,269.63	<Optional>

Item	Qty	Description	Sell	Sell Total
		CP-SCB tamper proof exterior, CPSCRD screw drivers, CP-PCB protective control box cover (lock by others)		
			ITEM TOTAL:	\$76,399.68
			Total	\$76,399.68



For Instant Quotes click here:
[Restaurant Equipment Financing](#)

For more information:
 email: FoodService@LeaseQ.com
 phone: (781) 328-9511

Finance-to-Own

- 24-month term:
\$3,480.31 - \$3,658.63*
- 36-month term:
\$2,428.06 - \$2,615.70*
- 48-month term:
\$1,904.34 - \$2,100.00*
- 60-month term:
\$1,591.94 - \$1,795.09*

*These examples reflect actual payment ranges that businesses with more than 2 years in business receive. Payments will vary depending on the established business and personal credit.

Financing is available for Start-Ups. Payments do not include taxes.

Any and all damaged item(s) should be marked as such on delivery ticket and or refused and Grady's Restaurant and Bar Equipment should be notified immediately as to the extent of the damage so that we can address and work toward a solution immediately.

All packaging materials must be retained from damaged item(s) for freight inspector/adjuster claim.

Custom fabricated item(s) are **not** returnable. Buy-out item(s) may be returnable less the manufacturer's restocking fee, freight too and from, as well as any damages that may be incurred. The returned item(s) **must be new and unused.**

Credits for returned item(s) will only be given once the factory has issued credit to Grady's Restaurant and Bar Equipment

Freight is **not** included unless otherwise specified.

Price does **not** included fees, taxes, bond, permit, or licenses unless otherwise specified.



Acceptance: _____ Date: _____

Printed Name: _____

Project Grand Total: \$76,399.68



DURAPAN™ SERIES

GAS, OPEN OR MODULAR BASE,
30 & 40 GALLON (115 & 150 LITER)

Project _____
Item _____
Quantity _____
FCSI Section 11400 _____
Approved _____
Date _____

Braising Pans / Tilting Skillets

Models

- SGL-30-TR • SGM-30-TR
- SGL-40-TR • SGM-40-TR



Open base model shown

- Adjustable, Electronic Thermostat controls temperature from 100°F to 425°F
- High Efficiency Heating System with even heat distribution
- Electronic Spark Ignition (ESS)
- Fast Heat-Up and Recovery Time-Preheats in 11 minutes, full capacity from cold to boiling in 60 minutes
- Spring Assist Cover with Adjustable Vent and Full Width Handle
- On/Off Switch, Thermostat Knob and Pilots, recessed to avoid breakage
- Four Stainless Steel, Level adjustable feet, rear flanged for bolting
- All Controls are serviceable from the front of the unit
- Two pilot lights; Green = Power on, Amber = Temperature Cycling
- Meets IPX6 Water Rating Requirements
- High Limit Safety Device set at 475°F (246°C)
- Anti-Splash Pouring Lip
- Supplied with Cord & Plug for 115-volt controls
- Typical approvals include AGA, CSA, CE and NSF

Short Form Specifications

Shall be CLEVELAND, Tilting Skillet;
Model SG _____ - _____ - TR gas
(TYPE _____) - holding no less than _____
gallons (_____ liters); complete with
Thermostatic Safety and Gas Controls; Gallon
Markings; Stainless Steel Clad 5/8" Cooking
Surface; Hand Tilt; Spring Assist Cover with
adjustable Vent. All Stainless Steel
Construction.

Standard Features

- Leg or Modular Base
- Full 30/40 Gallon (115/150 Liters) Capacity Rating to Bottom of Pouring Lip
- Hydraulic Hand Tilt with quick lowering feature (HTS)
- Stainless Steel Clad 5/8" Cooking Surface Guaranteed against warping
- Stainless Steel Covered Cornered Pans with both Gallon and Liter Markings
- All Stainless Steel Construction for durability and easy cleaning

Options & Accessories

- Sliding Drain Drawer with Splash Screen (SLD) (for SGL models only)
- Power Tilt with Hand Tilt Override (PT1)
- Double or Single Pantry Faucet (SPS14, DPS14), includes Faucet Mounting Bracket
- Double or Single Pantry Skillet Filler with 60" hose (SKF-S or DKF-S)
- Hot & Cold Water Pre-Rinse Spray Head with Hose (PRS-S)
- Gas types other than natural
- Voltage Option:
 - VOSK4, 220/240 Volt, 50 Hz, 1 Phase - for export
- Food Strainers for pouring spout (FS)
- Vegetable Steamers (VS)
- Poaching Pans (PP)
- Wall Mounting (WMS)
- In-Wall Carrier (IWCS)
- Pan Carriers (PCS), not available on 30 gallon models with a Tangent Draw-Off Valve
- 2" Tangent Draw-Off Valve (TD2), left side only

KE004046-93 rev B

18301 St. Clair Street
Cleveland, OH 44110

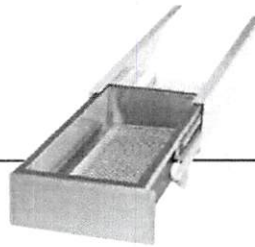
Tel 1.216.481.4900
Fax 1.216.481.3782
Email steam@clevelandrange.com

www.clevelandrange.com
Section 9, Page 7
6032A 10 / 2019





SLIDING DRAIN PAN
FOR OPEN BASE
R-SERIES SKILLETS



Project _____
Item _____
Quantity _____
FCSI Section 11400 _____
Approved _____
Date _____

Braising Pans / Tilting Skillets

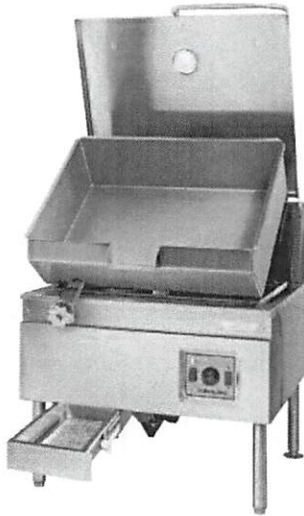
Models

- SLD-TD • SLD

MODEL SLD-TD (Shown on model SGL-40-TR)

Complete with:

- Sliding Drain Drawer
- 2" Tangent Draw-Off Valve



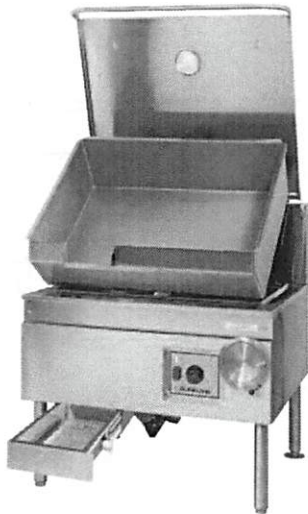
Standard Features

- Drain Drawer and 2" Tangent Draw-Off Valve mounted on left-hand side of unit.
- Modified Pan Hinge allows full tilting.
- Durable 12 gauge, 304 Stainless Steel construction.
- 1 1/4" NPT Drain Pipe Connection.
- Removable Stainless Steel Grate.
- Durable Nylon Rollers.

MODEL SLD-TD (Shown on model SGL-40-TR)

Complete with:

- Sliding Drain Drawer



Standard Features

- Drain Drawer and Pour Spout mounted on left-hand side of unit.
- Cover Handle mounted on right-hand side of unit.
- Durable 12 gauge, 304 Stainless Steel construction.
- 1 1/4" NPT Drain Pipe Connection.
- Removable Stainless Steel Grate.
- Durable Nylon Rollers.

18301 St. Clair Street
Cleveland, OH 44110

Tel 1.216.481.4900
Fax 1.216.481.3782
Email steam@clevelandrange.com

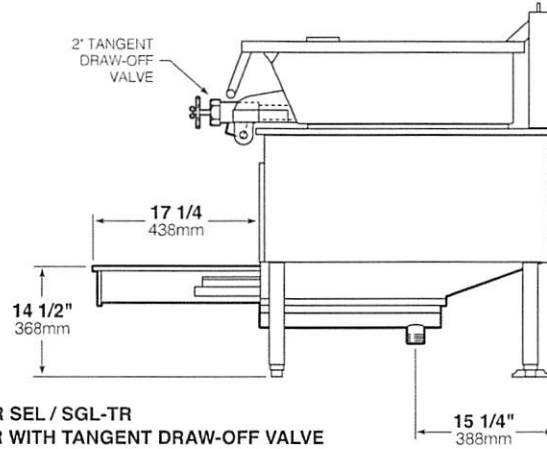
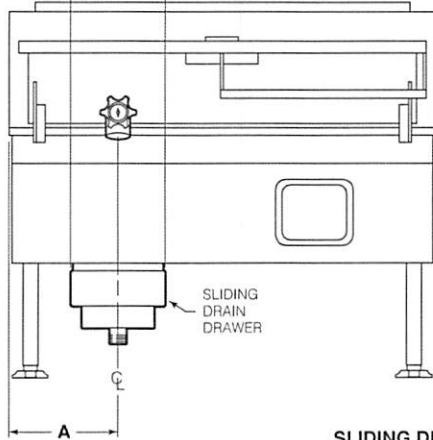
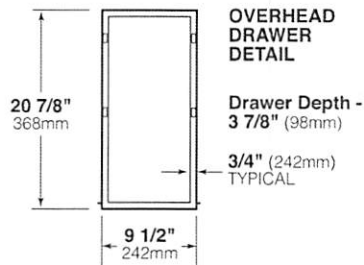
www.clevelandrange.com
Section 9, Page 13
08 / 2017



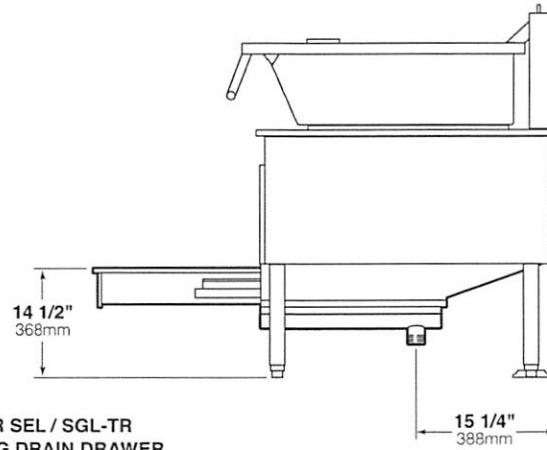
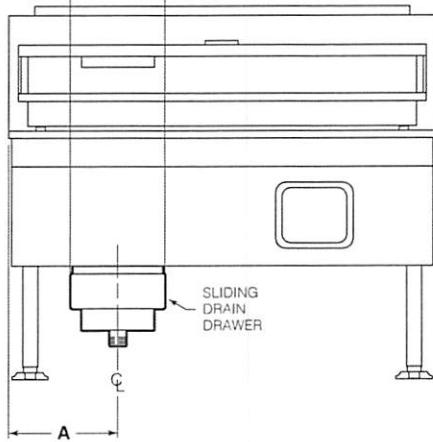
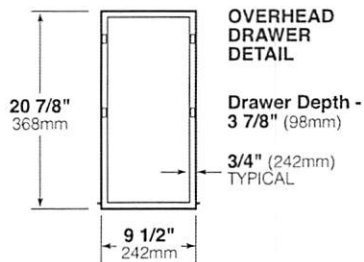


DIMENSIONS

CAPACITY	A
30 GAL.	9 3/16" (234mm)
40 GAL.	12 3/32" (307mm)



FOR SEL / SGL-TR
SLIDING DRAIN DRAWER WITH TANGENT DRAW-OFF VALVE



FOR SEL / SGL-TR
SLIDING DRAIN DRAWER

NOTES:

Cleveland Range reserves right of design improvement or modification, as warranted.
Many regional, state and local codes exist and it is the responsibility of the owner and installer to comply with the codes.
Cleveland Range equipment is built to comply with applicable standards for manufacturers. Included among those approval agencies are U.L., NSF, CGA, CSA, ETL and others.

(NOT TO SCALE)

Braising Pans / Tilting Skillets

18301 St. Clair Street
Cleveland, OH 44110

Tel 1.216.481.4900
Fax 1.216.481.3782
Email steam@clevelandrange.com

www.clevelandrange.com
Section 9, Page 14
08 / 2017



INSTRUCTIONS TO VENDORS SUBMITTING BIDS

1. REVIEW DOCUMENTS THOROUGHLY: The attached documents contain a solicitation for bids. Please read these instructions and all documents attached in their entirety. These instructions provide critical information about requirements that if overlooked could lead to disqualification of a Vendor's bid. All bids must be submitted in accordance with the provisions contained in these instructions and the Solicitation. Failure to do so may result in disqualification of Vendor's bid.

2. MANDATORY TERMS: The Solicitation may contain mandatory provisions identified by the use of the words "must," "will," and "shall." Failure to comply with a mandatory term in the Solicitation will result in bid disqualification.

2A. PREBID MEETING: The item identified below shall apply to this Solicitation.

A pre-bid meeting will not be held prior to bid opening

A MANDATORY PRE-BID meeting will be held at the following place and time:

--

All Vendors submitting a bid must attend the mandatory pre-bid meeting. Failure to attend the mandatory pre-bid meeting shall result in disqualification of the Vendor's bid. No one individual is permitted to represent more than one vendor at the pre-bid meeting. Any individual that does attempt to represent two or more vendors will be required to select one vendor to which the individual's attendance will be attributed. The vendors not selected will be deemed to have not attended the pre-bid meeting unless another individual attended on their behalf. The required attribution of attendance to a single vendor should be addressed during the pre-bid but may occur at any time deemed appropriate by the Agency.

An attendance sheet provided at the pre-bid meeting shall serve as the official document verifying attendance. Any person attending the pre-bid meeting on behalf of a Vendor must list on the attendance sheet his or her name and the name of the Vendor he or she is representing.

Additionally, the person attending the pre-bid meeting should include the Vendor's E-Mail address, phone number, and Fax number on the attendance sheet. It is the Vendor's responsibility to locate the attendance sheet and provide the required information. Failure to complete the attendance sheet as required may result in disqualification of Vendor's bid.

All Vendors should arrive prior to the starting time for the pre-bid. Vendors who arrive after the starting time but prior to the end of the pre-bid will be permitted to sign in, but are charged with knowing all matters discussed at the pre-bid.

Questions submitted at least five business days prior to a scheduled pre-bid will be discussed at the pre-bid meeting if possible. Any discussions or answers to questions at the pre-bid meeting are preliminary in nature and are non-binding. Official and binding answers to questions will be published in a written addendum to the Solicitation prior to bid opening.

3. BID SUBMISSION: All bids must be submitted electronically through wvOASIS or signed and delivered by the Vendor to the Agency on or before the date and time of the bid opening. Any bid received by the Agency staff is considered to be in the possession of the Agency and will not be returned for any reason.

3A. BID SUBMISSION

A bid that is not submitted electronically through wvOASIS should contain the information listed below on the face of the envelope or the bid may be rejected by the Agency.

SEALED BID:	Yes
BUYER:	Mary Jennifer Chapman jennifer.m.chapman@wv.gov
SOLICITATION NO.:	ARFQ 0608 DCR2300000198
BID OPENING DATE:	06/23/2023
BID OPENING TIME:	10:00 a.m. EST
FAX NUMBER:	(304) 558-1426

4. ADDENDUM ACKNOWLEDGEMENT: Changes or revisions to this Solicitation will be made by an official addendum issued by the Agency. Vendor should acknowledge receipt of all addenda issued with this Solicitation by completing an Addendum Acknowledgment Form, a copy of which is included herewith. Failure to acknowledge addenda may result in bid disqualification. The addendum acknowledgement should be submitted with the bid to expedite document processing.

5. BID FORMATTING: Vendor should type or electronically enter the information onto its bid to prevent errors in the evaluation. Failure to type or electronically enter the information may result in bid disqualification.

6. ALTERNATE MODEL OR BRAND: Unless the box below is checked, any model, brand, or specification listed in this Solicitation establishes the acceptable level of quality only and is not intended to reflect a preference for, or in any way favor, a particular brand or vendor. Vendors may bid alternates to a listed model or brand provided that the alternate is at least equal to the model or brand and complies with the required specifications. The equality of any alternate being bid shall be determined by the State at its sole discretion. Any Vendor bidding an alternate model or brand should clearly identify the alternate items in its bid and should include manufacturer’s specifications, industry literature, and/or any other relevant documentation demonstrating the equality of the alternate items. Failure to provide information for alternate items may be grounds for rejection of a Vendor’s bid.

This Solicitation is based upon a standardized commodity. Vendors are expected to bid the standardized commodity identified. Failure to bid the standardized commodity will result in your firm’s bid being rejected.

7. **EXCEPTIONS AND CLARIFICATIONS:** The Solicitation contains the specifications that shall form the basis of a contractual agreement. Vendor shall clearly mark any exceptions, clarifications, or other proposed modifications in its bid. Exceptions to, clarifications of, or modifications of a requirement or term and condition of the Solicitation may result in bid disqualification.

8. **REGISTRATION:** Prior to Contract award, the apparent successful Vendor must be properly registered with the Agency and must have paid the \$125 fee, if applicable.

9. **UNIT PRICE:** Unit prices shall prevail in cases of a discrepancy in the Vendor's bid.

10. **ELECTRONIC FILE ACCESS RESTRICTIONS:** Vendor must ensure that its submission in wvOASIS can be accessed and viewed by the Agency staff immediately upon bid opening. The Agency will consider any file that cannot be immediately access and viewed at the time of the bid opening (such as, encrypted files, password protected files, or incompatible files) to be blank or incomplete as context requires, and therefore unacceptable. A vendor will not be permitted to unencrypt files, remove password protections, or resubmit documents after bid opening to make a file viewable if those documents are required with the bid. A Vendor may be required to provide document passwords or removed access restrictions to allow the Agency to print or electronically save documents provided that those documents are viewable by the Agency prior to obtaining the password or removing the access restriction.

11. **NON-RESPONSIBLE:** The Director of Administrative Services reserves the right to reject the bid of any vendor as Non-Responsible, when the Director determines that the vendor submitting the bid does not have the capability to fully perform, or lacks the integrity and reliability to assure good-faith performance.

12. **ACCEPTANCE/REJECTION:** The State may accept or reject any bid in whole, or in part.

13. **YOUR SUBMISSION IS A PUBLIC DOCUMENT:** Vendor's entire response to the Solicitation and the resulting Contract are public documents. As public documents, they will be disclosed to the public following the bid/proposal opening or award of the contract, Freedom of Information Act in West Virginia Code §§ 29B-1-1 et seq.

DO NOT SUBMIT MATERIAL YOU CONSIDER TO BE CONFIDENTIAL, A TRADE SECRET, OR OTHERWISE NOT SUBJECT TO PUBLIC DISCLOSURE.

Submission of any bid, proposal, or other document to the Agency constitutes your explicit consent to the subsequent public disclosure of the bid, proposal, or document. The Agency will disclose any document labeled "confidential," "proprietary," "trade secret," "private," or labeled with any other claim against public disclosure of the documents, to include any "trade secrets" as defined by West Virginia Code § 47-22-1 et seq. All submissions are subject to public disclosure without notice.

GENERAL TERMS AND CONDITIONS:

1. **CONTRACTUAL AGREEMENT:** Issuance of a Award Document signed by the Agency and approved as to form by the Attorney General's office, if required, constitutes acceptance of this Contract made by and between the State of West Virginia and the Vendor. Vendor's signature on its bid signifies Vendor's agreement to be bound by and accept the terms and conditions contained in this Contract.

2. **DEFINITIONS:** As used in this Solicitation/Contract, the following terms shall have the meanings attributed to them below. Additional definitions may be found in the specifications included with this Solicitation/Contract.
 - 2.1. **"Agency" or "Agencies"** means the agency, board, commission, or other entity of the State of West Virginia that is identified on the first page of the Solicitation or any other public entity seeking to procure goods or services under this Contract.
 - 2.2. **"Bid" or "Proposal" means the vendors submitted response to this solicitation.**
 - 2.3. **"Contract"** means the binding agreement that is entered into between the State and the Vendor to provide the goods or services requested in the Solicitation.
 - 2.4. **"Director"** means the Director of the West Virginia Division of Administrative Services.
 - 2.5. **"Award Document"** means the document signed by the Agency that identifies the Vendor as the contract holder.
 - 2.6. **"Solicitation"** means the official notice of an opportunity to supply the State with goods or services.
 - 2.7. **"State"** means the State of West Virginia and/or any of its agencies, commissions, boards, etc. as context requires.
 - 2.8. **"Vendor" or "Vendors"** means any entity submitting a bid in response to the Solicitation, the entity that has been selected as the lowest responsible bidder, or the entity that has been awarded the Contract as context requires.

3. **CONTRACT TERM; RENEWAL; EXTENSION:** The term of this Contract shall be determined in accordance with the category that has been identified as applicable to this Contract below:

Term Contract

Initial Contract Term: This Contract becomes effective on the date indicated on the awarded contract and extends for a period of _____ year(s).

Renewal Term: This Contract may be renewed upon the mutual written consent of the Agency, and the Vendor. Any request for renewal should be delivered to the Agency thirty (30) days prior to the expiration date of the initial contract term or appropriate renewal term. A Contract renewal shall be in accordance with the terms and conditions of the original contract. Unless otherwise specified below, renewal of this Contract is limited to _____ successive one (1) year periods or multiple renewal periods of less than one year, provided that the multiple renewal periods do not exceed the total number of months available in all renewal years combined. Automatic renewal of this Contract is prohibited.

Alternate Renewal Term – This contract may be renewed for _____ successive _____ year periods or shorter periods provided that they do not exceed the total number of months contained in all available renewals. Automatic renewal of this Contract is prohibited. Renewals must be approved by the Vendor and Agency.

Delivery Order Limitations: In the event that this contract permits delivery orders, a delivery order may only be issued during the time this Contract is in effect. Any delivery order issued within one year of the expiration of this Contract shall be effective for one year from the date the delivery order is issued. No delivery order may be extended beyond one year after this Contract has expired.

Fixed Period Contract: This Contract becomes effective upon Vendor's receipt of the notice to proceed and must be completed within _____ days.

Fixed Period Contract with Renewals: This Contract becomes effective upon Vendor's receipt of the notice to proceed and part of the Contract more fully described in the attached specifications must be completed within _____ days. Upon completion of the work covered by the preceding sentence, the vendor agrees that maintenance, monitoring, or warranty services will be provided for _____ year(s) thereafter.

One Time Purchase: The term of this Contract shall run from the issuance of the Award Document until all of the goods contracted for have been delivered, but in no event will this Contract extend for more than one fiscal year.

Other: See attached.

4. **NOTICE TO PROCEED:** Vendor shall begin performance of this Contract immediately upon receiving notice to proceed unless otherwise instructed by the Agency. Unless otherwise specified, the fully executed Award Document will be considered notice to proceed.

5. **QUANTITIES:** The quantities required under this Contract shall be determined in accordance with the category that has been identified as applicable to this Contract below.

Open End Contract: Quantities listed in this Solicitation are approximations only, based on estimates supplied by the Agency. It is understood and agreed that the Contract shall cover the quantities actually ordered for delivery during the term of the Contract, whether more or less than the quantities shown.

Service: The scope of the service to be provided will be more clearly defined in the specifications included herewith.

Combined Service and Goods: The scope of the service and deliverable goods to be provided will be more clearly defined in the specifications included herewith.

One Time Purchase: This Contract is for the purchase of a set quantity of goods that are identified in the specifications included herewith. Once those items have been delivered, no additional goods may be procured under this Contract without an appropriate change order approved by the Vendor, Agency, and Attorney General's office.

6. **REQUIRED DOCUMENTS:** All of the items checked below must be provided to the Agency by the Vendor as specified below.

PERFORMANCE BOND: The apparent successful Vendor shall provide a performance bond in the amount of 100% of the contract value. The performance bond must be received by the Agency prior to Contract award.

LABOR/MATERIAL PAYMENT BOND: The apparent successful Vendor shall provide a labor/material payment bond in the amount of 100% of the Contract value. The labor/material payment bond must be received by the Agency prior to Contract award.

MAINTENANCE BOND: The apparent successful Vendor shall provide a two (2) year maintenance bond covering the roofing system. The maintenance bond must be issued and delivered to the Agency prior to Contract award.

LICENSE(S) / CERTIFICATIONS / PERMITS: In addition to anything required under the Section of the General Terms and Conditions entitled Licensing, the apparent successful Vendor shall furnish proof of the following licenses, certifications, and/or permits upon request and in a form acceptable to the State. The request may be prior to or after contract award at the State's sole discretion.

<input type="checkbox"/>	
<input type="checkbox"/>	
<input type="checkbox"/>	
<input type="checkbox"/>	

The apparent successful Vendor shall also furnish proof of any additional licenses or certifications contained in the specifications regardless of whether or not that requirement is listed above.

7. **INSURANCE:** The apparent successful Vendor shall furnish proof of the insurance identified by a checkmark below and must include the State as an additional insured on each policy prior to Contract award. The insurance coverages identified below must be maintained throughout the life of this contract. Thirty (30) days prior to the expiration of the insurance policies Vendor shall provide the Agency with proof that the insurance mandated herein has been continued. Vendor must also provide Agency with immediate notice of any changes in its insurance policies, including but not limited to, policy cancelation, policy reduction, or change in insurers. The apparent successful Vendor shall also furnish proof of any additional insurance requirements contained in the specifications prior to Contract award regardless of whether or not that insurance requirement is listed in this section.

Vendor must maintain:

Commercial General Liability Insurance in at least an amount of:

\$1,000,000.00 _____ per occurrence.

Automobile Liability Insurance in at least an amount of: _____ per occurrence.

Professional/Malpractice/Errors and Omission Insurance in at least an amount of: _____ per occurrence. Notwithstanding the forgoing, Vendor's are not required to list the State as an additional insured for this type of policy.

Commercial Crime and Third Party Fidelity Insurance in an amount of: _____ per occurrence.

Cyber Liability Insurance in an amount of: _____ per occurrence.

Builders Risk Insurance in an amount equal to 100% of the amount of the Contract.

Pollution Insurance in an amount of: _____ per occurrence.

Aircraft Liability in an amount of: _____ per occurrence.

8. **WORKERS' COMPENSATION INSURANCE:** The apparent successful Vendor shall comply with laws relating to workers compensation, shall maintain workers' compensation insurance when required, and shall furnish proof of workers' compensation insurance upon request.

9. **LIQUIDATED DAMAGES:** This clause shall in no way be considered exclusive and shall not limit the State or Agency's right to pursue any other available remedy. Vendor shall pay liquidated damages in the amount specified below or as described in the specifications:

_____ for _____

Liquidated Damages Contained in the Specifications

10. **ACCEPTANCE:** Vendor's signature on its bid, or on the certification and signature page, constitutes an offer to the State that cannot be unilaterally withdrawn, signifies that the product or service proposed by vendor meets the mandatory requirements contained in the Solicitation for that product or service, unless otherwise indicated, and signifies acceptance of the terms and conditions contained in the Solicitation unless otherwise indicated.

11. **PRICING:** The pricing set forth herein is firm for the life of the Contract, unless specified elsewhere within this Solicitation/Contract by the State. A Vendor's inclusion of price adjustment provisions in its bid, without an express authorization from the State in the Solicitation to do so, may result in bid disqualification. Notwithstanding the foregoing, Vendor must extend any publicly advertised sale price to the State and invoice at the lower of the contract price or the publicly advertised sale price.

12. **PAYMENT IN ARREARS:** Payment in advance is prohibited under this Contract. Payment may only be made after the delivery and acceptance of goods or services. The Vendor shall submit invoices, in arrears.

13. **PAYMENT METHODS:** Vendor must accept payment by electronic funds transfer or P-Card. (The State of West Virginia's Purchasing Card program, administered under contract by a banking institution, processes payment for goods and services through state designated credit cards.)

14. **ADDITIONAL FEES:** Vendor is not permitted to charge additional fees or assess additional charges that were not either expressly provided for in the solicitation published by the State of West Virginia or included in the unit price or lump sum bid amount that Vendor is required by the solicitation to provide. Including such fees or charges as notes to the solicitation may result in rejection of vendor's bid. Requesting such fees or charges be paid after the contract has been awarded may result in cancellation of the contract.

15. **TAXES:** The Vendor shall pay any applicable sales, use, personal property or any other taxes arising out of this Contract and the transactions contemplated thereby. The State of West Virginia is exempt from federal and state taxes and will not pay or reimburse such taxes.

16. **FUNDING:** This Contract shall continue for the term stated herein, contingent upon funds being appropriated by the Legislature or otherwise being made available. In the event funds are not appropriated or otherwise made available, this Contract becomes void and of no effect beginning on July 1 of the fiscal year for which funding has not been appropriated or otherwise made available.

17. **CANCELLATION:** The State reserves the right to cancel this Contract immediately upon written notice to the vendor if the materials or workmanship supplied do not conform to the specifications contained in the Contract. The Agency may also cancel any purchase or Contract upon 30 days written notice to the Vendor.

18. **TIME:** Time is of the essence with regard to all matters of time and performance in this Contract.

19. **APPLICABLE LAW:** This Contract is governed by and interpreted under West Virginia law without giving effect to its choice of law principles. Any information provided in specification manuals, or any other source, verbal or written, which contradicts or violates the West Virginia Constitution, West Virginia Code or West Virginia Code of State Rules is void and of no effect.

20. **COMPLIANCE WITH LAWS:** Vendor shall comply with all applicable federal, state, and local laws, regulations and ordinances. By submitting a bid, Vendor acknowledges that it has reviewed, understands, and will comply with all applicable laws, regulations, and ordinances. Vendor shall notify all subcontractors providing commodities or services related to this Contract that as subcontractors, they too are required to comply with all applicable laws, regulations, and ordinances.

21. **ARBITRATION:** Any references made to arbitration contained in this Contract, Vendor's bid, or in any American Institute of Architects documents pertaining to this Contract are hereby deleted, void, and of no effect.

22. **MODIFICATIONS:** This writing is the parties' final expression of intent. Notwithstanding anything contained in this Contract to the contrary, no modification of this Contract shall be binding without mutual written consent of the Agency, and the Vendor.

23. **WAIVER:** The failure of either party to insist upon a strict performance of any of the terms or provision of this Contract, or to exercise any option, right, or remedy herein contained, shall not be construed as a waiver or a relinquishment for the future of such term, provision, option, right, or remedy, but the same shall continue in full force and effect. Any waiver must be expressly stated in writing and signed by the waiving party.

24. **SUBSEQUENT FORMS:** The terms and conditions contained in this Contract shall supersede any and all subsequent terms and conditions which may appear on any form documents submitted by Vendor to the Agency such as price lists, order forms, invoices, sales agreements, or maintenance agreements, and includes internet websites or other electronic documents. Acceptance or use of Vendor's forms does not constitute acceptance of the terms and conditions contained thereon.

25. **ASSIGNMENT:** Neither this Contract nor any monies due, or to become due hereunder, may be assigned by the Vendor without the express written consent of the Agency and any other government agency or office that may be required to approve such assignments.

26. WARRANTY: The Vendor expressly warrants that the goods and/or services covered by this Contract will: (a) conform to the specifications, drawings, samples, or other description furnished or specified by the Agency; (b) be merchantable and fit for the purpose intended; and (c) be free from defect in material and workmanship.

27. STATE EMPLOYEES: State employees are not permitted to utilize this Contract for personal use and the Vendor is prohibited from permitting or facilitating the same.

28. PRIVACY, SECURITY, AND CONFIDENTIALITY: The Vendor agrees that it will not disclose to anyone, directly or indirectly, any such personally identifiable information or other confidential information gained from the Agency, unless the individual who is the subject of the information consents to the disclosure in writing or the disclosure is made pursuant to the Agency's policies, procedures, and rules. Vendor further agrees to comply with the Confidentiality Policies and Information Security Accountability Requirements, set forth in <http://www.state.wv.us/admin/purchase/privacy/default.html>

29. YOUR SUBMISSION IS A PUBLIC DOCUMENT: Vendor's entire response to the Solicitation and the resulting Contract are public documents. As public documents, they will be disclosed to the public following the bid/proposal opening or award of the contract, as required by the competitive bidding laws of the State of West Virginia and the Freedom of Information Act West Virginia Code §§ 29B-1-1 et seq.

DO NOT SUBMIT MATERIAL YOU CONSIDER TO BE CONFIDENTIAL, A TRADE SECRET, OR OTHERWISE NOT SUBJECT TO PUBLIC DISCLOSURE.

Submission of any bid, proposal, or other document to the Agency constitutes your explicit consent to the subsequent public disclosure of the bid, proposal, or document. The Agency will disclose any document labeled "confidential," "proprietary," "trade secret," "private," or labeled with any other claim against public disclosure of the documents, to include any "trade secrets" as defined by West Virginia Code § 47-22-1 et seq. All submissions are subject to public disclosure without notice.

30. LICENSING: In accordance with applicable law, Vendor must be licensed and in good standing in accordance with any and all state and local laws and requirements by any state or local agency of West Virginia, including, but not limited to, the West Virginia Secretary of State's Office, the West Virginia Tax Department, West Virginia Insurance Commission, or any other state agency or political subdivision. Obligations related to political subdivisions may include, but are not limited to, business licensing, business and occupation taxes, inspection compliance, permitting, etc. Upon request, the Vendor must provide all necessary releases to obtain information to enable the Agency to verify that the Vendor is licensed and in good standing with the above entities. Vendor shall notify all subcontractors providing commodities or services related to this Contract that as subcontractors, they too are required to be licensed, in good standing, and up-to-date on all state and local obligations as described in this section.

31. ANTITRUST: In submitting a bid to, signing a contract with, or accepting an Award Document from any agency of the State of West Virginia, the Vendor agrees to convey, sell, assign, or transfer to the State of West Virginia all rights, title, and interest in and to all causes of action it may now or hereafter acquire under the antitrust laws of the United States and the State of West Virginia for price fixing and/or unreasonable restraints of trade relating to the particular commodities or services purchased or acquired by the State of West Virginia. Such assignment shall be made and become effective at the time the purchasing agency tenders the initial payment to Vendor.

32. VENDOR CERTIFICATIONS: By signing its bid or entering into this Contract, Vendor certifies (1) that its bid or offer was made without prior understanding, agreement, or connection with any corporation, firm, limited liability company, partnership, person or entity submitting a bid or offer for the same material, supplies, equipment or services; (2) that its bid or offer is in all respects fair and without collusion or fraud; (3) that this Contract is accepted or entered into without any prior understanding, agreement, or connection to any other entity that could be considered a violation of law; and (4) that it has reviewed this Solicitation in its entirety; understands the requirements, terms and conditions, and other information contained herein. Vendor's signature on its bid or offer also affirms that neither it nor its representatives have any interest, nor shall acquire any interest, direct or indirect, which would compromise the performance of its services hereunder. Any such interests shall be promptly presented in detail to the Agency. The individual signing this bid or offer on behalf of Vendor certifies that he or she is authorized by the Vendor to execute this bid or offer or any documents related thereto on

Vendor's behalf; that he or she is authorized to bind the Vendor in a contractual relationship; and that, to the best of his or her knowledge, the Vendor has properly registered with any State agency that may require registration.

33. VENDOR RELATIONSHIP: The relationship of the Vendor to the State shall be that of an independent contractor and no principal-agent relationship or employer-employee relationship is contemplated or created by this Contract. The Vendor as an independent contractor is solely liable for the acts and omissions of its employees and agents. Vendor shall be responsible for selecting, supervising, and compensating any and all individuals employed pursuant to the terms of this Solicitation and resulting contract. Neither the Vendor, nor any employees or subcontractors of the Vendor, shall be deemed to be employees of the State for any purpose whatsoever. Vendor shall be exclusively responsible for payment of employees and contractors for all wages and salaries, taxes, withholding payments, penalties, fees, fringe benefits, professional liability insurance premiums, contributions to insurance and pension, or other deferred compensation plans, including but not limited to, Workers' Compensation and Social Security obligations, licensing fees, etc. and the filing of all necessary documents, forms, and returns pertinent to all of the foregoing. Vendor shall hold harmless the State, and shall provide the State and Agency with a defense against any and all claims including, but not limited to, the foregoing payments, withholdings, contributions, taxes, Social Security taxes, and employer income tax returns.

34. INDEMNIFICATION: The Vendor agrees to indemnify, defend, and hold harmless the State and the Agency, their officers, and employees from and against: (1) Any claims or losses for services rendered by any subcontractor, person, or firm performing or supplying services, materials, or supplies in connection with the performance of the Contract; (2) Any claims or losses resulting to any person or entity injured or damaged by the Vendor, its officers, employees, or subcontractors by the publication, translation, reproduction, delivery, performance, use, or disposition of any data used under the Contract in a manner not authorized by the Contract, or by Federal or State statutes or regulations; and (3) Any failure of the Vendor, its officers, employees, or subcontractors to observe State and Federal laws including, but not limited to, labor and wage and hour laws.

35. PURCHASING AFFIDAVIT: In accordance with West Virginia Code, the State is prohibited from awarding a contract to any bidder that owes a debt to the State or a political subdivision of the State, Vendors are required to sign, notarize, and submit the Purchasing Affidavit to the Agency affirming under oath that it is not in default on any monetary obligation owed to the state or a political subdivision of the state.

36. CONFLICT OF INTEREST: Vendor, its officers or members or employees, shall not presently have or acquire an interest, direct or indirect, which would conflict with or compromise the performance of its obligations hereunder. Vendor shall periodically inquire of its officers, members and employees to ensure that a conflict of interest does not arise. Any conflict of interest discovered shall be promptly presented in detail to the Agency.

37. REPORTS: Vendor shall provide the Agency with the following reports identified by a checked box below:

Such reports as the Agency may request. Requested reports may include, but are not limited to, quantities purchased, agencies utilizing the contract, total contract expenditures by agency, etc.

Quarterly reports detailing the total quantity of purchases in units and dollars, along with a listing of purchases by agency. Quarterly reports should be delivered to the Agency.

38. BACKGROUND CHECK: In accordance with W. Va. Code § 15-2D-3, the Director of the Division of Protective Services shall require any service provider whose employees are regularly employed on the grounds or in the buildings of the Capitol complex or who have access to sensitive or critical information to submit to a fingerprint-based state and federal background inquiry through the state repository. The service provider is responsible for any costs associated with the fingerprint-based state and federal background inquiry. After the contract for such services has been approved, but before any such employees are permitted to be on the grounds or in the buildings of the Capitol complex or have access to sensitive or critical information, the service provider shall submit a list of all persons who will be physically present and working at the Capitol complex to the Director of the Division of Protective Services for purposes of verifying compliance with this provision. The State reserves the right to prohibit a service provider's employees from accessing sensitive or critical information or to be present at the Capitol complex based upon results addressed from a criminal background check.

Service providers should contact the West Virginia Division of Protective Services by phone at (304) 558-9911 for more information.

DESIGNATED CONTACT: Vendor appoints the individual identified in this Section as the Contract Administrator and the initial point of contact for matters relating to this Contract.

Summer Smythe, sales

(Name, Title)

Summer Smythe, sales

(Printed Name and Title)

170 Greenhorn Drive Pueblo, Co 81004

(Address)

719-542-8853 ext 402, 719-542-8857

(Phone Number) / (Fax Number)

summer@gogradys.com

(E-mail address)

CERTIFICATION AND SIGNATURE: By signing below, or submitting documentation through wvOASIS, I certify that I have reviewed this Solicitation in its entirety; that I understand the requirements, terms and conditions, and other information contained herein; that this bid, offer or proposal constitutes an offer to the State that cannot be unilaterally withdrawn; that the product or service proposed meets the mandatory requirements contained in the Solicitation for that product or service, unless otherwise stated herein; that the Vendor accepts the terms and conditions contained in the Solicitation, unless otherwise stated herein; that I am submitting this bid, offer or proposal for review and consideration; that I am authorized by the vendor to execute and submit this bid, offer, or proposal, or any documents related thereto on vendor's behalf; that I am authorized to bind the vendor in a contractual relationship; and that to the best of my knowledge, the vendor has properly registered with any State agency that may require registration.

Pueblo Hotel Supply dba Gradys

(Company)

Summer Smythe

(Authorized Signature) (Representative Name, Title)

Summer Smyhte, sales

(Printed Name and Title of Authorized Representative)

6/19/23

(Date)

719-542-8853 ext 402, 719-542-8857

(Phone Number) (Fax Number)

ADDENDUM ACKNOWLEDGEMENT FORM

SOLICITATION NO.:

Instructions: Please acknowledge receipt of all addenda issued with this solicitation by completing this addendum acknowledgment form. Check the box next to each addendum received and sign below. Failure to acknowledge addenda may result in bid disqualification. Acknowledgment: I hereby acknowledge receipt of the following addenda and have made the necessary revisions to my proposal, plans and/or specification, etc.

Addendum Numbers Received:
(Check the box next to each addendum received)

- | | |
|---|--|
| <input type="checkbox"/> Addendum No. 1 | <input type="checkbox"/> Addendum No. 6 |
| <input type="checkbox"/> Addendum No. 2 | <input type="checkbox"/> Addendum No. 7 |
| <input type="checkbox"/> Addendum No. 3 | <input type="checkbox"/> Addendum No. 8 |
| <input type="checkbox"/> Addendum No. 4 | <input type="checkbox"/> Addendum No. 9 |
| <input type="checkbox"/> Addendum No. 5 | <input type="checkbox"/> Addendum No. 10 |

I understand that failure to confirm the receipt of addenda may be cause for rejection of this bid. I further understand that any verbal representation made or assumed to be made during any oral discussion held between Vendor's representatives and any state personnel is not binding. Only the information issued in writing and added to the specifications by an official addendum is binding.

Pueblo Hotel Supply dba Gradys

Company

Summer Smythe

Authorized Signature

6/19/23

Date

NOTE: This addendum acknowledgement should be submitted with the bid to expedite document processing.

STATE OF WEST VIRGINIA
PURCHASING AFFIDAVIT

CONSTRUCTION CONTRACTS: Under W. Va. Code § 5-22-1(i), the contracting public entity shall not award a construction contract to any bidder that is known to be in default on any monetary obligation owed to the state or a political subdivision of the state, including, but not limited to, obligations related to payroll taxes, property taxes, sales and use taxes, fire service fees, or other fines or fees.

ALL CONTRACTS: Under W. Va. Code § 15A-3-14, no contract or renewal of any contract may be awarded by the state or any of its political subdivisions to any vendor or prospective vendor when the vendor or prospective vendor or a related party to the vendor or prospective vendor is a debtor and: (1) the debt owed is an amount greater than one thousand dollars in the aggregate; or (2) the debtor is in employer default.

EXCEPTION: The prohibition listed above does not apply where a vendor has contested any tax administered pursuant to chapter eleven of the W. Va. Code, workers' compensation premium, permit fee or environmental fee or assessment and the matter has not become final or where the vendor has entered into a payment plan or agreement and the vendor is not in default of any of the provisions of such plan or agreement.

DEFINITIONS:

"Debt" means any assessment, premium, penalty, fine, tax or other amount of money owed to the state or any of its political subdivisions because of a judgment, fine, permit violation, license assessment, defaulted workers' compensation premium, penalty or other assessment presently delinquent or due and required to be paid to the state or any of its political subdivisions, including any interest or additional penalties accrued thereon.


"Employer default" means having an outstanding balance or liability to the old fund or to the uninsured employers' fund or being in policy default, as defined in W. Va. Code § 23-2c-2, failure to maintain mandatory workers' compensation coverage, or failure to fully meet its obligations as a workers' compensation self-insured employer. An employer is not in employer default if it has entered into a repayment agreement with the Insurance Commissioner and remains in compliance with the obligations under the repayment agreement

"Related party" means a party, whether an individual, corporation, partnership, association, limited liability company or any other form or business association or other entity whatsoever, related to any vendor by blood, marriage, ownership or contract through which the party has a relationship of ownership or other interest with the vendor so that the party will actually or by effect receive or control a portion of the benefit, profit or other consideration from performance of a vendor contract with the party receiving an amount that meets or exceeds five percent of the total contract amount.

AFFIRMATION: By signing this form, the vendor's authorized signer affirms and acknowledges under penalty of law for false swearing (W. Va. Code § 61-5-3) that: (1) for construction contracts, the vendor is not in default on any monetary obligation owed to the state or a political subdivision of the state, and (2) for all other contracts, that neither vendor nor any related party owe a debt as defined above and that neither vendor nor any related party are in employer default as defined above, unless the debt or employer default is permitted under the exception above.

WITNESS THE FOLLOWING SIGNATURE:

Vendor's Name: Pueblo Hotel Supply dba Gradys

Authorized Signature:  Date: 6/19/23

State of Colorado

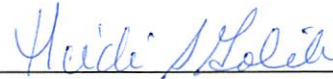
County of Pueblo, to-wit:

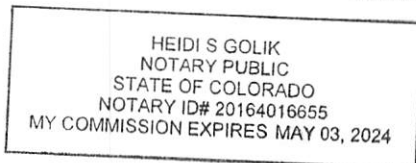
Taken, subscribed, and sworn to before me this 19th day of June, 2023.

My Commission expires May 3rd, 2023.

AFFIX SEAL HERE

NOTARY PUBLIC





REQUEST FOR QUOTATION
ARFQ 0608 DCR2300000198
(3) Cleveland Forty (40) Gallon Tilt Skillets (or Equal)
Eastern Regional Jail & Correctional Facility

SPECIFICATIONS

1. **PURPOSE AND SCOPE:** The West Virginia Department of Homeland Security – Division of Administrative Services (DAS) is soliciting bids on the behalf of the West Virginia Division of Corrections and Rehabilitation (DCR) to establish a one-time contract for the purchase of (3) 40 Gallon Tilt Skillets, or equal for Eastern Regional Jail & Correctional Facility (ERJL&CF) located at 94 Grapevine Road, Martinsburg, WV 25405.

2. **DEFINITIONS:** The terms listed below shall have the meanings assigned to them below. Additional definitions can be found in section 2 of the General Terms and Conditions.
 - 2.1. **“Contract Item” or “Contract Items”** means the list of items identified in Section 3.1 below and on the Pricing Pages.

 - 2.2. **“Pricing Pages”** means the schedule of prices, estimated order quantity, and totals contained in wvOASIS or attached hereto as Exhibit A and used to evaluate the Solicitation responses.

 - 2.3. **“Solicitation”** means the official notice of an opportunity to supply the State with goods or services that is published by the Division of Administrative Services.

3. **GENERAL REQUIREMENTS:**
 - 3.1. **Contract Items and Mandatory Requirements:** Vendor shall provide Agency with the Contract Items listed below on one-time basis. Contract Items must meet or exceed the mandatory requirements as shown below or equal.
 - 3.1.1 **Contract Item 1: Cleveland Forty (40) Gallon Tilt Skillet (Or Equal)**
 - 3.1.1.1 Must have a 5/8” stainless steel bead blasted cooking surface to prevent warping and reduce food from sticking.
 - 3.1.1.2 Must have a minimum 40-gallon capacity.
 - 3.1.1.3 Must be minimum 130,000 BTU.
 - 3.1.1.4 Must have liter and gallon markings.
 - 3.1.1.5 Must have a spring-assisted cover with adjustable vent.
 - 3.1.1.6 Must have an anti-splash pouring lip.
 - 3.1.1.7 Must have an easy to turn manual hand tilt.
 - 3.1.1.8 Must have a leg base.
 - 3.1.1.9 Must have water-resistant recessed controls.
 - 3.1.1.10 Must have a power jack with splash-proof design to prevent water damage from spillage and cleaning.
 - 3.1.1.11 Must be completely front-serviceable with pull-out componentry.

REQUEST FOR QUOTATION
ARFQ 0608 DCR2300000198
(3) Cleveland Forty (40) Gallon Tilt Skillets (or Equal)
Eastern Regional Jail & Correctional Facility

- 3.1.1.12 Must have an adjustable electronic thermostat that accurately controls temperature from 100 degrees to 450 degrees Fahrenheit.
- 3.1.1.13 Must have sliding drawer with splash screen mounted on the left side.
- 3.1.1.14 Must have a pan carrier.
- 3.1.1.15 Must have a minimum 40-gallon food strainer.
- 3.1.1.16 Must have a front mounted 2” Tangent Draw off Valve on left side.

3.2 Alternative ‘or Equal’ Submission

- 3.2.1 Vendor submitting an alternate brand must provide alternate brand information with alternative product number on Pricing Page when submitting bid response. Failure to submit documentation for an “or Equal” product will result in vendor’s bid being disqualified.

4 CONTRACT AWARD:

- 4.1 **Contract Award:** The Contract is intended to provide Agencies with a purchase price for the Contract Items. The Contract shall be awarded to the Vendor that provides the Contract Items meeting the required specifications for the lowest overall total cost as shown on the Pricing Pages.
- 4.2 **Pricing Page:** Vendor shall complete the Pricing Page by providing a unit cost for each Contract Item listed in section 3.1. Vendor shall include the cost of standard order delivery charges in its bid pricing and is not permitted to charge the Agency separately for such delivery. Vendor shall complete the Pricing Page in full as failure to complete the Pricing Page in its entirety will result in the Vendor’s bid being disqualified.

Any product or service not on the Agency provided Pricing Page will not be allowable. The state cannot accept alternate pricing pages, failure to use Exhibit A Pricing Page and/or a no-bid will lead to disqualification of vendors bid.

5 PAYMENT:

- 5.1 **Payment:** Vendor shall accept payment in accordance with the payment procedures of the State of West Virginia.

REQUEST FOR QUOTATION
ARFQ 0608 DCR2300000198
(3) Cleveland Forty (40) Gallon Tilt Skillets (or Equal)
Eastern Regional Jail & Correctional Facility

6 DELIVERY AND RETURN:

- 6.1 Shipment and Delivery:** Vendor shall ship the Contract Items immediately after being awarded this Contract and receiving a purchase order or notice to proceed. Vendor shall deliver the Contract Items within six (6) weeks after receiving a purchase order or notice to proceed. Contract Items must be delivered to:

Eastern Regional Jail & Correctional Facility
94 Grapevine Road
Martinsburg, WV 25405

- 6.2 Late Delivery:** The Agency placing the order under this Contract must be notified in writing if the shipment of the Contract Items will be delayed for any reason. Any delay in delivery that could cause harm to an Agency will be grounds for cancellation of the Contract, and/or obtaining the Contract Items from a third party.
- 6.3 Delivery Payment/Risk of Loss:** Vendor shall deliver the Contract Items F.O.B. destination to the Agency's location.
- 6.4 Return of Unacceptable Items:** If the Agency deems the Contract Items to be unacceptable, the Contract Items shall be returned to Vendor at Vendor's expense and with no restocking charge. Vendor shall either make arrangements for the return within five (5) days of being notified that items are unacceptable or permit the Agency to arrange for the return and reimburse Agency for delivery expenses. If the original packaging cannot be utilized for the return, Vendor will supply the Agency with appropriate return packaging upon request. All returns of unacceptable items shall be F.O.B. the Agency's location. The returned product shall either be replaced, or the Agency shall receive a full credit or refund for the purchase price, at the Agency's discretion.
- 6.5 Return Due to Agency Error:** Items ordered in error by the Agency will be returned for credit within 30 days of receipt, F.O.B. Vendor's location. Vendor shall not charge a restocking fee if returned products are in a resalable condition. Items shall be deemed to be in a resalable condition if they are unused and in the original packaging. Any restocking fee for items not in a resalable condition shall be the lower of the Vendor's customary restocking fee or 5% of the total invoiced value of the returned items.

7 VENDOR DEFAULT:

REQUEST FOR QUOTATION
ARFQ 0608 DCR2300000198
(3) Cleveland Forty (40) Gallon Tilt Skillets (or Equal)
Eastern Regional Jail & Correctional Facility

7.1 The following shall be considered a vendor default under this Contract.

- 7.1.1 Failure to provide Contract Items in accordance with the requirements contained herein.
- 7.1.2 Failure to comply with other specifications and requirements contained herein.
- 7.1.3 Failure to comply with any laws, rules, and ordinances applicable to the Contract Services provided under this Contract.
- 7.1.4 Failure to remedy deficient performance upon request.

7.2 The following remedies shall be available to Agency upon default.

- 7.2.1 Immediate cancellation of the Contract.
- 7.2.2 Immediate cancellation of one or more release orders issued under this Contract.
- 7.2.3 Any other remedies available in law or equity.

Vendor should list its Contract manager and his or her contact information below.

Contract Manager:	Summer Smythe
Telephone Number:	719-542-8853 ext 402
Fax Number:	719-542-8857
Email Address:	summer@gogradys.com

ADDITIONAL INFORMATION

The West Virginia Department of Homeland Security - Division of Administrative Services (DAS) is soliciting bids on the behalf of the West Virginia Division of Corrections and Rehabilitation (DCR) to establish a one-time contract for the purchase of (3) 40 Gallon Tilt Skillets, or equal for Eastern Regional Jail & Correctional Facility (ERJL&CF) located at 94 Grapevine Road, Martinsburg, WV 25405.

INVOICE TO		SHIP TO	
DIVISION OF ADMINISTRATIVE SERVICES 1124 SMITH STREET SECOND FLOOR CHARLESTON WV US		EASTERN REGIONAL JAIL 94 GRAPEVINE RD MARTINSBURG WV US	

Line	Comm Ln Desc	Qty	Unit Issue	Unit Price	Total Price
1	Forty (40) Gallon Tilt Skillet-ERJL	3.00000	EA	25466.56	76399.68

Comm Code	Manufacturer	Specification	Model #
48101600	Cleveland		SGL40TR

Extended Description:
Forty (40) Gallon Tilt Skillet-ERJL

SCHEDULE OF EVENTS

Line	Event	Event Date
1	TECHNICAL QUESTION DEADLINE BY 2:30 PM EST (14:30)	2023-06-13

	Document Phase	Document Description	Page
DCR2300000198	Final	Tilt Skillet - ERJ	3

EXHIBIT A – Pricing Page
FORTY (40) GALLON TILT SKILLET EASTERN REGIONAL JAIL & CF
ARFQ 0608 DCR220000198

Section	Description	Manufacturer and Model if Bidding "or Equal" products	Unit of Measure	Quantity	Unit Cost	Extended Cost
3.1.1	Contract Item #1: Cleveland Tilt Skillet for Eastern Regional Jail and Correctional Facility.		EA	3	25466.56	\$ 76,399.68
Overall Total Cost					\$	76,399.68

Please note: This information is being captured for auditing purposes. Vendor must complete and return this Pricing Page upon request. Any product or service not on the Agency provided Cost Sheet will not be allowable. The state cannot accept alternate pricing pages, failure to use Exhibit A Cost Sheet could lead to disqualification of vendors bid.

Vendor should type or electronically enter the information into the Pricing Page to prevent errors in the evaluation.

BIDDER /VENDOR INFORMATION:

Vendor Name: Pueblo Hotel Supply dba Grady's

Address: 170 Greenhorn Drive

City, St. Zip: Pueblo, CO 81004

Phone No.: 719-542-8853 ext 402

Email Address: summer@egrady's.com

 **Vendor Signature:** _____ **Date:** 6/19/2023